

Features

- 30W LED Flood Light Trident Pro
- Aluminium housing with tempered glass cover
- Color temperature of 3000K, 4000K, 6500K & RGB
- Beam angle of 8°, 10°, 15° & 30°
- Length of 250mm, 500mm & 1000mm for selection

Highlights

- DMX controller to control lighting fixture and dimmers
- Delivers energy savings with durable quality
- Can be installed as recessed, surface-mounted, pendant luminaires and trunking system
- Field installation friendly and cost effective

Technical Specifications

Product Name		AB-AU1-FL-GCxAy0*	AB-AU1-FLOGANAy0*
Picture/ display	Brightness	1800lm	1800lm
	LED type	SMD	SMD
	Beam angle	8°, 10°, 15°, 30°	8°, 10°, 15°, 30°
	Color	3000K/ 4000K/ 6500K	RGB
Environmental	Operating temperature	-20°C to +50°C	-20°C to +50°C
	Operating humidity range	0% - 90% RH	0% - 90% RH
	Ingress protection	IP66	IP66
	LED lifetime	50,000 hrs	50,000 hrs
Power	Mains input	100-240VAC, 50/60Hz	100-240VAC, 50/60Hz
	Power consumption maximum	30W	30W
Physical	Housing	Aluminium	Aluminium
	Cover	Tempered glass	Tempered glass
	Dimensions (H x W x D)	370 x 270 x 86.5mm	370 x 270 x 86.5mm
Control	Control system	-	DMX512

* Options :

x : Color

B= 3000K, C= 4000K, G= 6500K

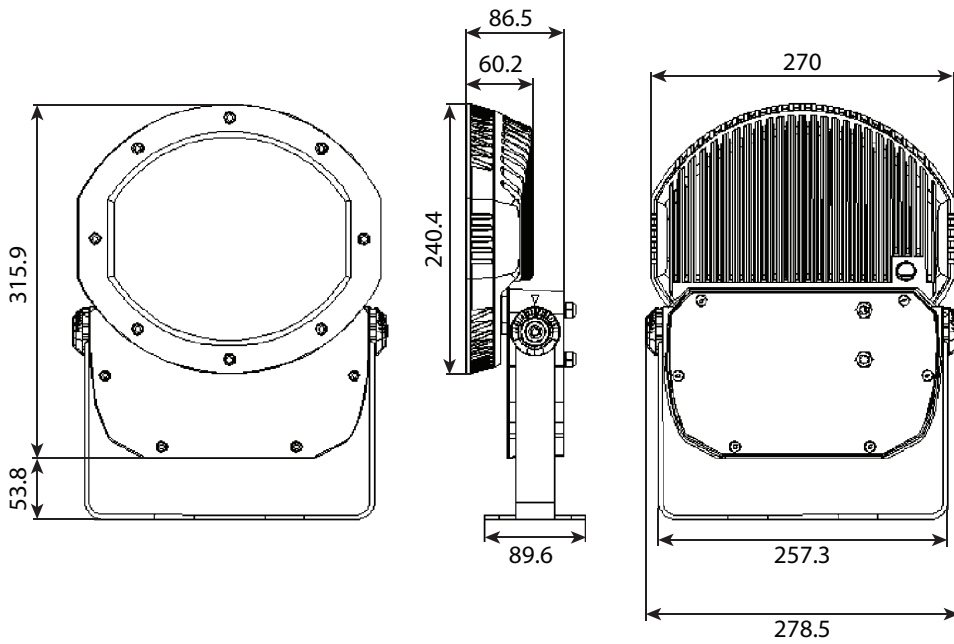
y : Beam Angle

R= 8°, K= 10°, C= 15°, D=30°

All specifications are subjected to change without notice.

Technical Drawing

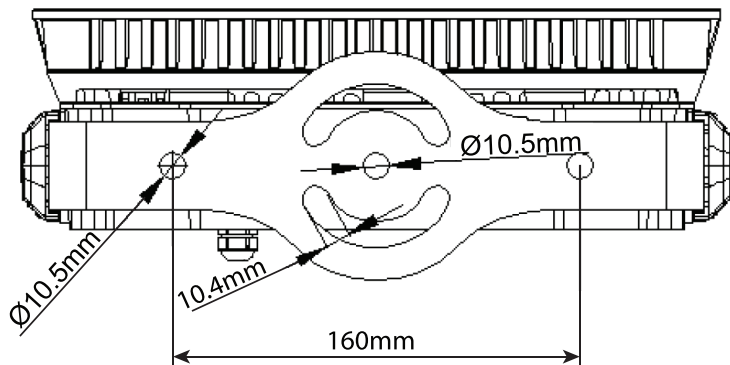
Unit : mm



Tolerance for dimensions = ± 2.5mm

Mounting Accessories

Unit : mm



Tolerance for dimensions = ± 2.5mm

All specifications are subjected to change without notice.